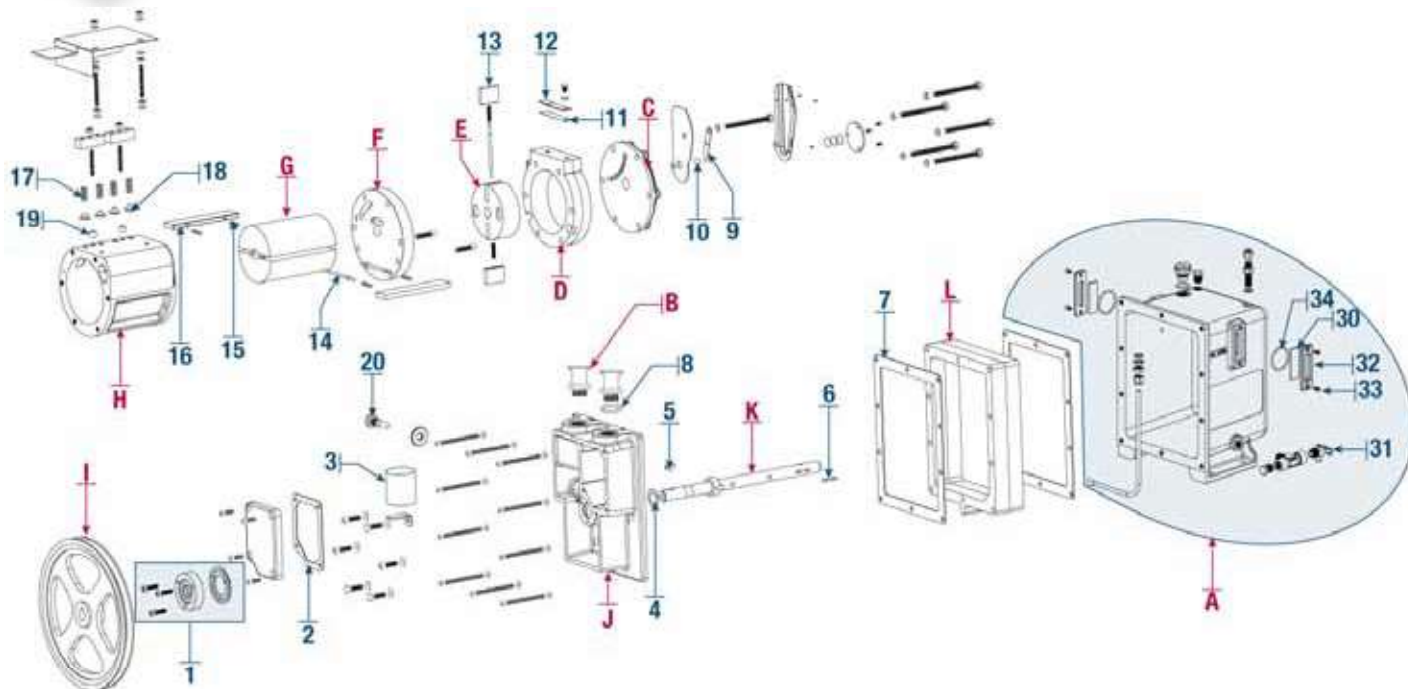


CHEMSTAR® Pumps for Corrosive Gases



Model 1376N



Major Repair Kit
CAT. No. 1376K-10 for Model 1376N

ID	Qty.	Description
Major Repair Kit 1376K-10		
1	1	Shaft Lip Seal Kit, 3/4" CAT. NO. 1401D-01
2	1	Gasket, Intake Chamber Cover
3	1	Intake Screen
4	1	Thrust Washer
5	2	Woodruff Key
6	2	Woodruff Key
7	2	Gasket, Oil Case
8	1	O-Ring
9	1	Pressure Release Valve
10	1	Ball Bearing
11	1	Exhaust Valve, Lower
12	1	Exhaust Valve, Upper
13	2	Vane, Small
14	3	Spring Holder
15	6	Spring for Vanes
16	2	Vane, Large
17	4	Valve Spring
18	4	Valve for Block
19	2	Spacer for Valve Block

Minor Repair Kit CAT. No. 1376K-09

Contains same as Major Repair Kit 1376K-10 except vane ID No. 13 and 16.

Individual Spare Parts for Model 1376N

ID	Qty.	CAT. No.	Description	ID	Qty.	CAT. No.	Description
A	1	61-8319B	Oil Case Assembly			★1417P-10	Standard Exhaust Filter
B	1	1393G	ISO NW 25 Adapter 1-20"			★1417G	Replacement Exhaust Filter Element
C	1	41-2045	Small End Plate			★8995G-11	Gold Vacuum Pump Oil -1 L.
D	1	61-8108D	Exhaust Ring			★8995G-15	Gold Vacuum Pump Oil -1 Ga.
E	1	41-1518	Small Rotor			★331060-5	5' x 13/16" I.D. Vacuum Hose
F	1	61-8250C	Center Plate		1	61-8803	Belt Guard/Cover
G	1	41-1682	Large Rotor		1	61-8698	Pump Base
H	1	41-1688	Large Ring		1	1371A-01	Belt Guard & Base Kit
I	1	41-2074	Pump Pulley with Set Screw	20	1	41-1736	Gas Ballast Valve
J	1	61-8684	Large End Plate		1	41-0668	Motor Pulley with Set Screw
K	1	41-1683	Shaft		1	41-1940A	1 HP Motor, 115/230V, 60Hz, 1Ph
L	1	61-8687	Oil Case Spacer	30	1	61-2229A	Oil Window Glass (Requires 2)
				31	1	726130	Drain Valve
1	1	★1401D-01	Shaft Lip Seal Kit, 3/4"	32	1	61-2370	Oil Window Cover (Requires 2)
	1	★1401D	Shaft Mechanical Seal Kit	33	1	61-1014	Screw (Requires 4)
	1	★1405A	V-Belt	34	1	66-0304	O-Ring (Requires 2)

★ - Suggested Spare and Consumable Parts