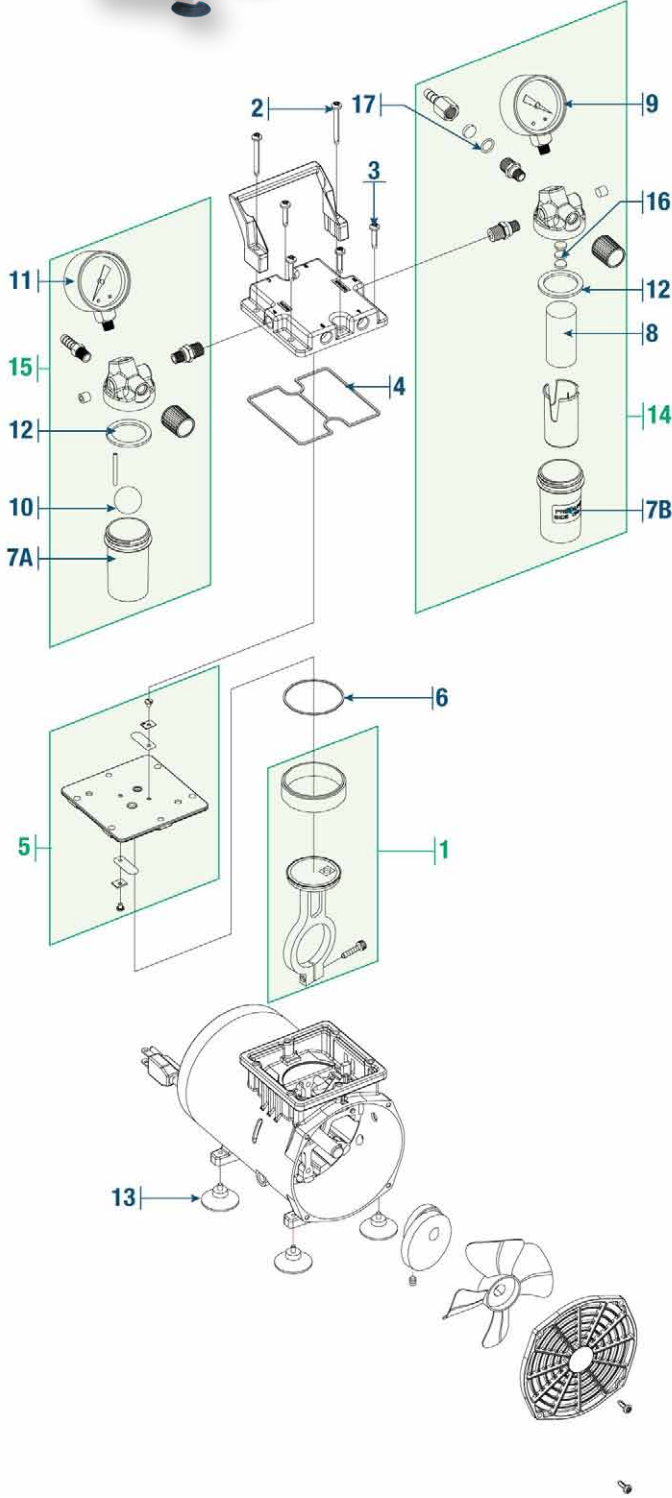


# Standard Duty Dry Vacuum Pumps

WOB-L® Models 2522B-01/2522C-02/2534B-01



Comprehensive Service Kits for Models 2522B-01/2522C-02/2534B-01							
ID	Qty.	CAT. No.	Description	Service Kit CAT. No. 2522K-03	Service Kit CAT. No. 2534K-03	Seal Service Kit CAT. No. 2522K-04	Feet Service Kit CAT. No. 2500K-04
1	1	2522K-01 2534K-01	Connecting Rod Ass'y	1 ----	---- 1	----	----
2	1	Note 1	Handle Screw	2	2	----	----
3	1	Note 1	Head Screw	4	4	----	----
4	1	Note 1	Gasket Seal	1	1	1	----
5	1	2565K-02	Valve Plate Assembly <sup>2</sup>	1	1	----	----
6	1	Note 1	O-Ring	1	1	1	----
7A	1	Note 1	Jar Plastic	1	1	1	----
7B	1	Note 1	Jar Plastic	1	1	1	----
8	1	Note 1	Filter Element	1	1	1	----
9	2	Note 1	Ball	1	1	1	----
12	2	Note 1	Gasket	2	2	2	----
13	1	Note 1	Rubber Suction Feet	----	----	----	4
16	1	Note 1	Replacement Filters	3	3	3	----
17	1	Note 1	O-Ring	1	1	1	----

Individual Spare Parts for Model 2522B-01 (115V 60Hz)			
ID	Qty.	CAT. No.	Description
9	1	726025	Pressure Gauge
11	1	726021	Vacuum Gauge
14	1	2522K-06	Pressure Regulator Assembly
15	1	2522K-05	Vacuum Regulator Assembly

Individual Spare Parts for Model 2522C-02 (230V 50Hz USA)			
ID	Qty.	CAT. No.	Description
9	1	726025	Pressure Gauge
11	1	726024	Vacuum Gauge
14	1	2522K-06	Pressure Regulator Assembly
15	1	2522K-05	Vacuum Regulator Assembly

Individual Spare Parts for Model 2534B-01 (115V 60Hz)			
ID	Qty.	CAT. No.	Description
9	1	726025	Pressure Gauge
11	1	726021	Vacuum Gauge
14	1	2522K-06	Pressure Regulator Assembly
15	1	2522K-05	Vacuum Regulator Assembly

Note 1. These parts are not available separately, but are supplied in the repair kits.  
2. 2565K-02 Valve Plate Assembly also includes O-Rings #4 and #6.