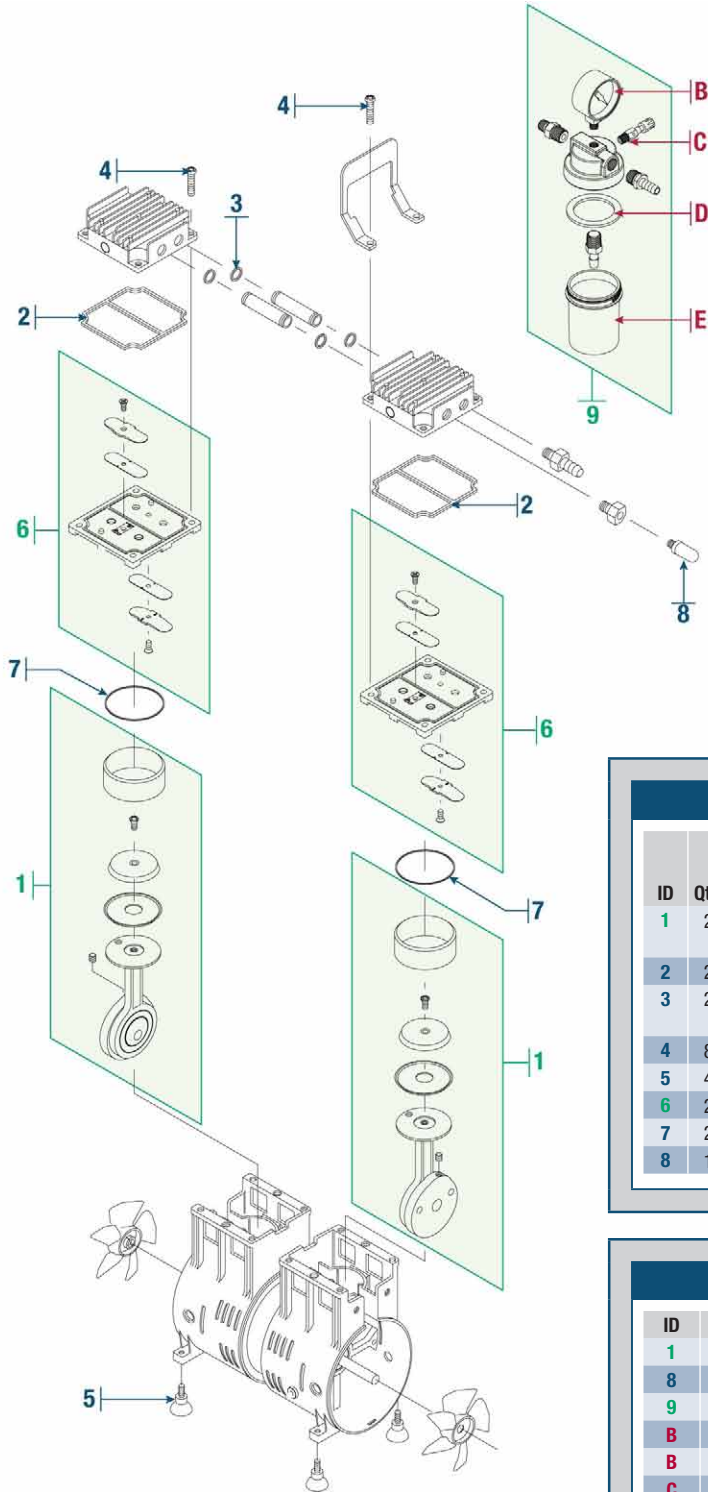


Standard Duty Dry Vacuum Pumps

WOB-L® Models 2580/2585



Comprehensive Repair Kits for Models 2580/2585

ID	Qty.	CAT. No.	Description	Service Kit CAT. No. 2585K-03	Gasket Kit CAT. No. 2585K-04	Feet Service Kit CAT. No. 2500K-04
1	2	2585K-01	Connecting Rod Assembly Kit	2	-	-
2	2	Note 1	Gasket Seal	2	2	-
3	2	Note 1	O-Ring, Connector Tube	4	4	-
4	8	Note 1	Head Screw	8	-	-
5	4	Note 1	Rubber Suction Feet	-	-	4
6	2	2585K-02	Valve Plate Ass'y Kit	2	-	-
7	2	Note 1	O-Ring Cylinder	2	2	-
8	1	1412C	Muffler	1	-	-

Individual Spare Parts for Models 2580/2585

ID	Qty.	Part Number	Description
1	1	2585K-01	Connecting Rod Assembly Kit
8	1	1412C	Muffler
9	1	2585K-50	Vacuum Regulator Kit with Inlet Separator Jar
B	1	726021	Vacuum Gauge, in. Hg, cm Hg
B	1	726024	Vacuum Gauge - mbar/kPa
C	1	61-5142	Regulating Valve (without Knob #61-5148)
D	1	61-9772	Jar Gasket - PTFE Fluoroelastomer
E	1	1415B	Glass Jar, Inlet Trap
E	1	1415C	Plastic Jar, Inlet Trap

Note 1. These parts are not available separately, but are supplied in the repair kits.