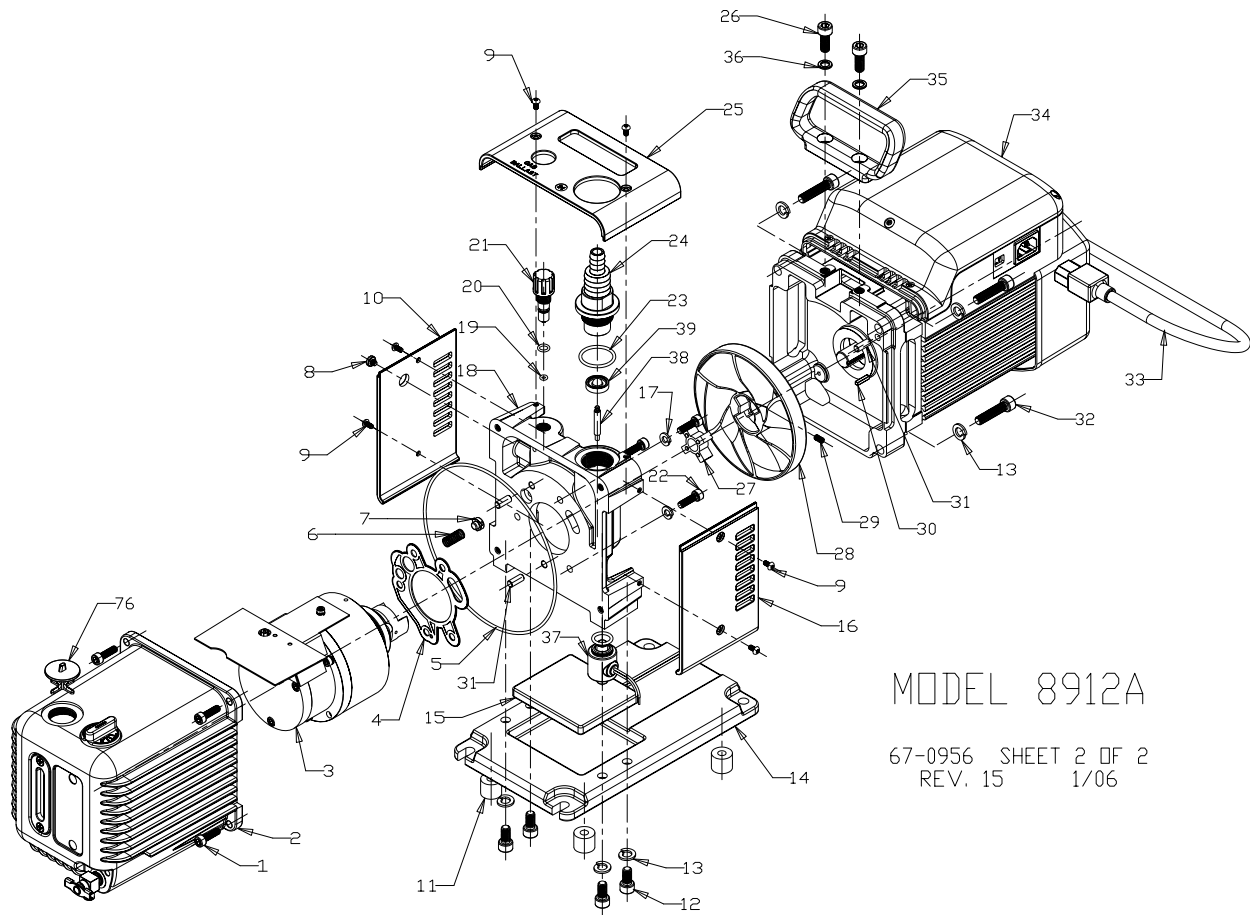


10.32 Exploded Views and Parts List for 8912A



MODEL 8912A

67-0956 SHEET 2 OF 2
REV. 15 1/06

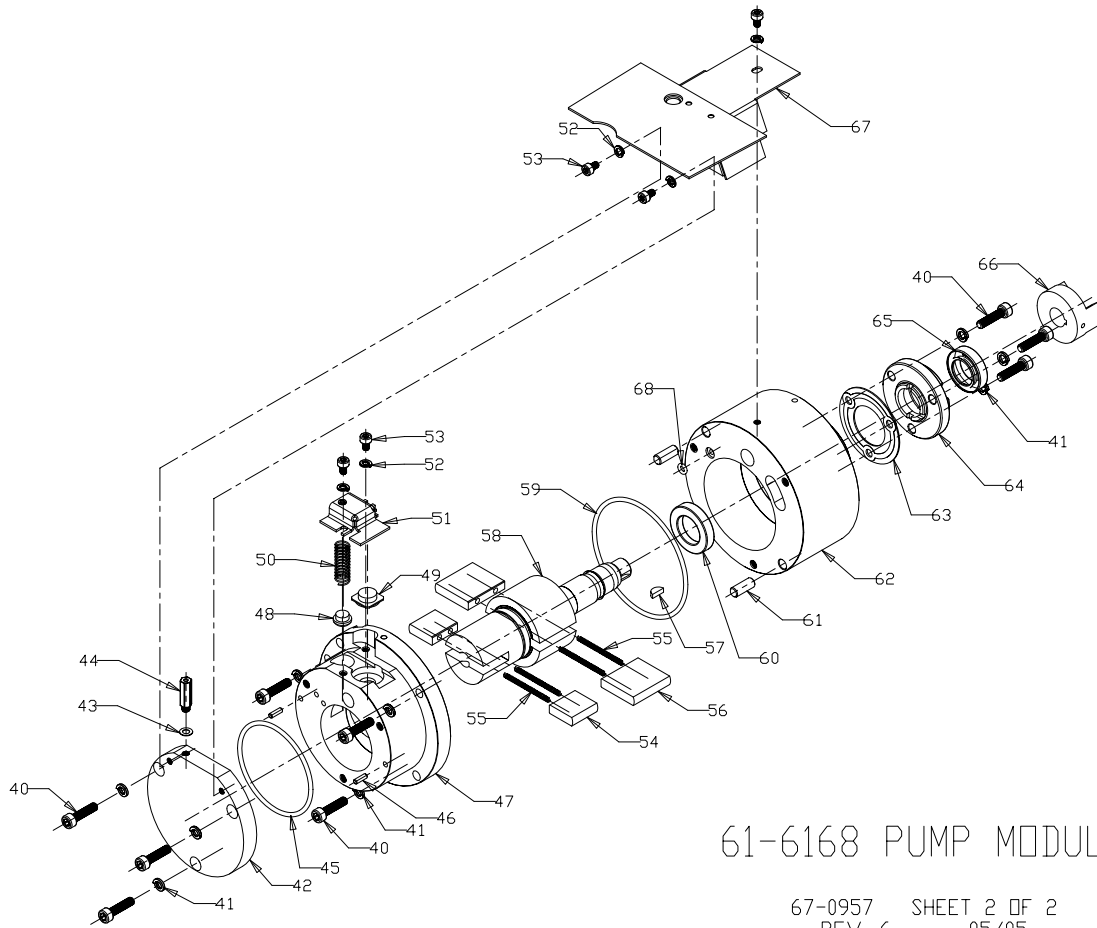
PARTS LIST FOR MODEL 8912A

ITEM	QTY	P/N	A*	B*	DESCRIPTION	ITEM	QTY	P/N	A*	B*	DESCRIPTION
1	4	62-0325			SCREW SOCKET HD M6 x 20 BLK.	21	1	61-6324			GAS BALLAST ASSEMBLY
2	1	61-6443			OIL CASE ASSEMBLY	22	3	62-0270			SCREW SOCKET HD M6x20
3	1	61-6168			PUMP MODULE	23	1	66-0200			O-RING, FLUOROELAST. #216
4	1	61-6385			GASKET	24	1	61-6325			INTAKE FITTING ASSEMBLY
5	1	66-0194			O-RING, FLUOROELAST. #164	25	1	61-6360			COVER, TOP
6	1	61-6305A			SPRING, GAS BALLAST	26	2	62-0331			SCREW SOCKET HD M8 x 20 Blk.
7	1	61-2118A			VALVE, GAS BALLAST	27	1	61-6038			COUPLING, RUBBER
8	1	61-9429			SCREW w/ O-RING	28	1	61-6024			FAN
9	6	62-0265			SCREW BUTTON HD M4 x 8 Blk.	29	1	62-0286			SET SCREW #10-32
10	1	61-5353			COVER, LEFT	30	1	61-6081			KEY
11	4	66-0211			RUBBER FEET	31	4	61-9280A			DOWEL PIN, 1/4"
12	4	62-0349			SCREW SOCKET HD M8 x 16	32	4	62-0346			SCREW SOCKET HD M8 x 35
13	8	2-63-0356			LOCK WASHER 5/16	33	1	62-0344			LINE CORD
14	1	61-6306			BASE	34	1	61-6460			MOTOR ASSEMBLY 1/2 H.P.
15	1	61-6084			DRIP AID	35	1	61-6011			HANDLE
16	1	61-5352			COVER, RIGHT	36	2	41-2363			WASHER
17	3	2-63-0193			LOCK WASHER 1/4	37	1	61-6304			SOLENOID VALVE ASSEMBLY
18	1	61-6322			MOUNTING PLATE	38	1	61-6279			PLUNGER
19	1	61-2157A			O-RING, FLUOROELAST. #007	39	1	61-9793			ISOLATOR DISC
20	1	61-9282A			O-RING, FLUOROELAST. #011	76	1	61-6076			EXHAUST PLUG

A* : MAJOR REPAIR KIT CAT# N/A
B* : MINOR REPAIR KIT CAT# 8917K-02

67-0956
Rev. 16 01/06

10.40 Exploded Views and Parts List for Pump Module 61-6168



61-6168 PUMP MODULE

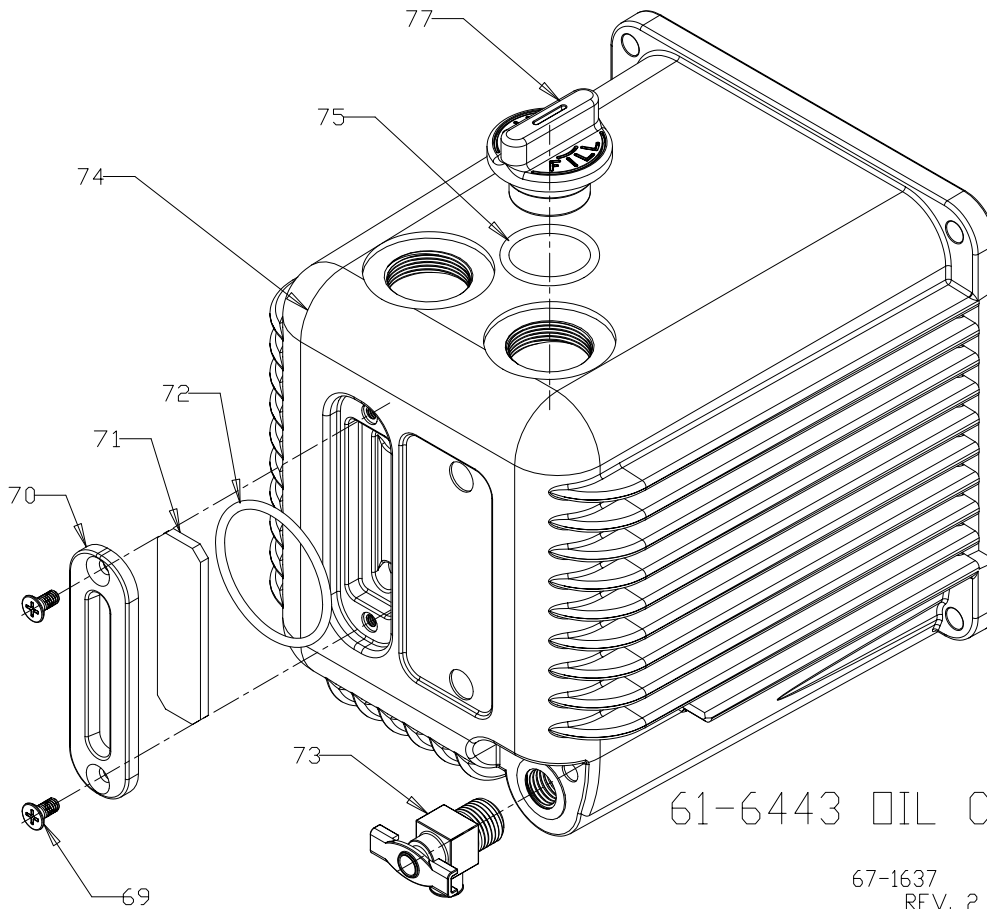
67-0957 SHEET 2 OF 2
REV. 6 05/05

PARTS LIST FOR MODULE 61-6168

ITEM	QTY	P/N	A*	B*	DESCRIPTION	ITEM	QTY	P/N	A*	B*	DESCRIPTION
40	9	62-0262			SCREW SOCKET HD M5 x 20	55	4	41-2996			VANE, SPRING
41	9	2-62-0793			SPLIT LOCK WASHER #10	56	2	61-6050			VANE, INTAKE
42	1	61-6165			COVER PLATE	57	1	41-2732			KEY
43	1	41-3175			GASKET	58	1	61-6040			ROTOR
44	1	62-0274			ORIFICE .014"	59	1	66-0203			O-RING, FLUOROELAST. #151
45	1	66-0204			O-RING, FLUOROELAST. #141	60	1	41-3390			LIP SEAL, 3/4"
46	2	4-21-3006			DOWEL PIN, 1/8"	61	2	61-9280A			DOWEL PIN, 1/4"
47	1	61-6167			EXHAUST STAGE	62	1	61-6166			INTAKE STAGE
48	1	61-6058			EXHAUST VALVE	63	1	41-0643			GASKET
49	1	61-6057			BYPASS VALVE	64	1	61-6055			LIP SEALHOUSING
50	1	61-6305			EXHAUST VALVE SPRING	65	1	61-6042			LIP SEAL .669"
51	1	61-6164			EXHAUST VALVE HOLDER	66	1	41-2730			COUPLING
52	5	2-69-6108			LOCK WASHER #8	67	1	61-6123			COVER
53	5	62-0271			SCREW SOCKET HD M4 x 6	68	1	61-2157A			O-RING, FLUOROELAST. #007
54	2	61-6053			VANE, EXHAUST						

A* : MAJOR REPAIR KIT CAT# N/A
B* : MINOR REPAIR KIT CAT# N/A

10.50 Exploded Views and Parts List for Oil Case 61-6443



61-6443 OIL CASE ASSEMBLY

67-1637 SHEET 2 OF 2
REV. 2 6/04

PARTS LIST FOR OIL CASE 61-6443

ITEM	QTY	P/N	A*	B*	DESCRIPTION
69	2	62-1014			SCREW COUNTER SINK #8-32 x 3/8"
70	1	61-6009			WINDOW HOLDER
71	1	61-6027			WINDOW GLASS
72	1	66-0305			O-RING, FLUOROELAST. #130
73	1	61-2278			DRAIN VALVE
74	1	61-6442			OIL CASE
75	1	62-0212			O-RING, FLUOROELAST. #119
77	1	61-6020			OIL FILL PLUG

A*: MAJOR REPAIR KIT CAT# N/A
B*: MINOR REPAIR KIT CAT# N/A